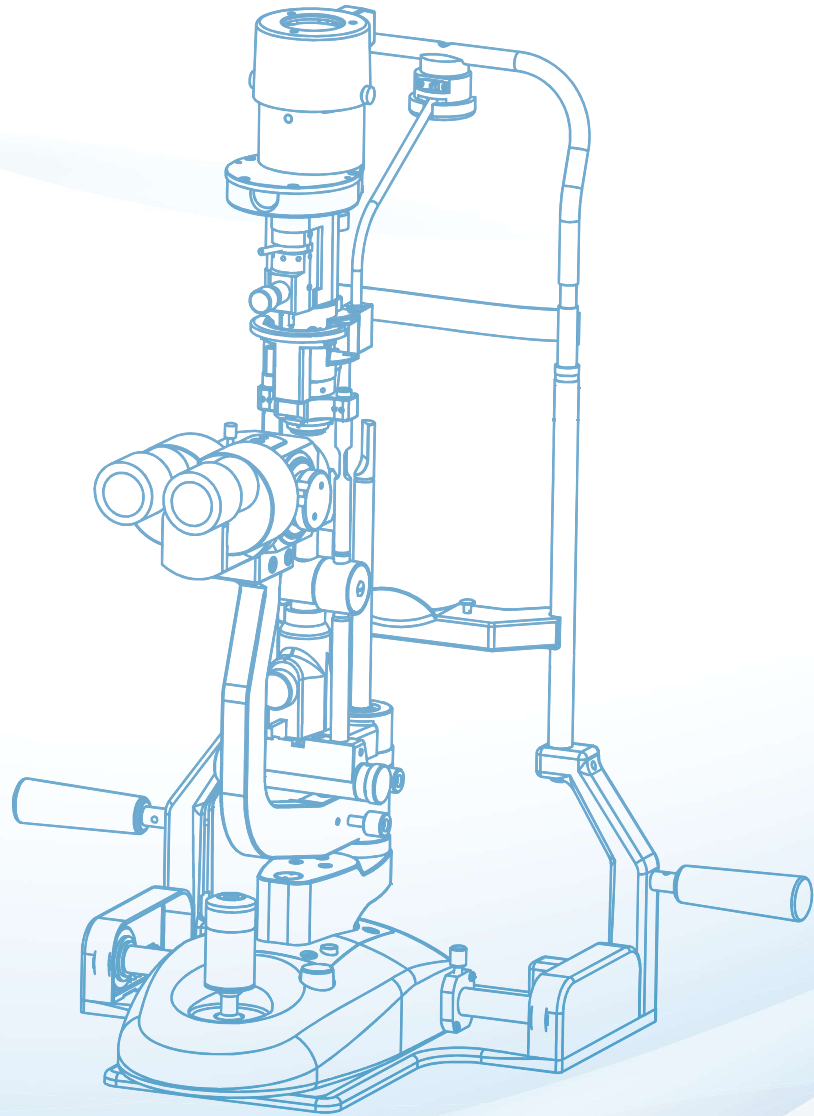


LED & Halogen SLIT LAMPS

Quality Optics



MADE IN JAPAN

www.inami.co.jp/english



www.facebook.com/inami.japan

Here comes the LED

PHAROS LED
EGG LED

- ✓ Sharp and even illumination
- ✓ Environmentally-friendly
- ✓ Powerful and long-lasting light source
- ✓ Less stress to patient's eye

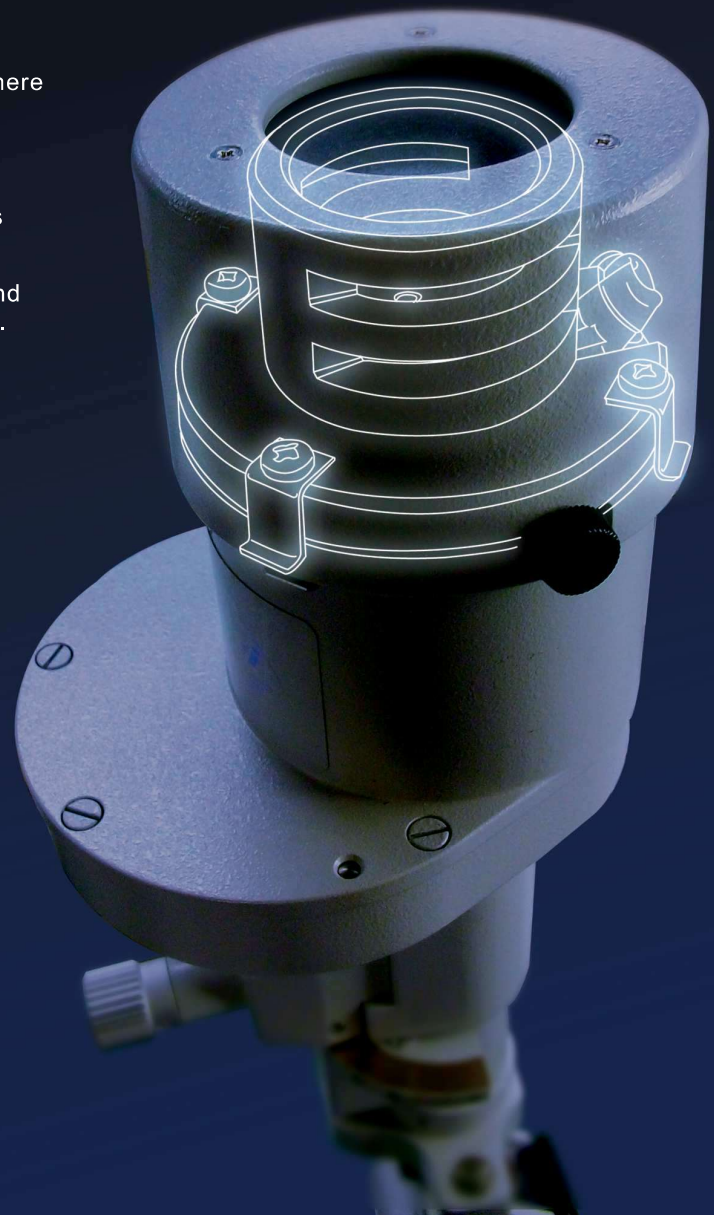
Inami's slit lamp series "PHAROS" and the high-end model "EGG" now have LED powered version.

The original LED technology optimises the spectrum of light for sharp, clear and even observation.

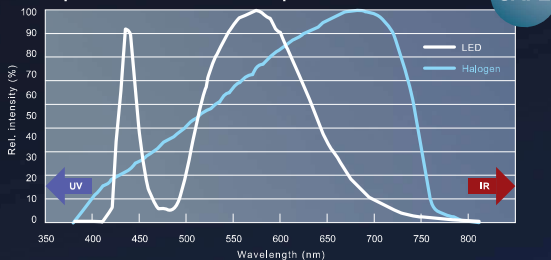
One of the most valuable advantages of LED light source is that it lasts nearly lifetime which means there will be no need to purchase and change light bulbs.

Even if the LED lamp house needs to be changed somehow, users do not have to change the whole column part since the lamp house assembly itself is replaceable.

This energy saving light source generates no UV and less heat, which reduces the stress to patient's eye.

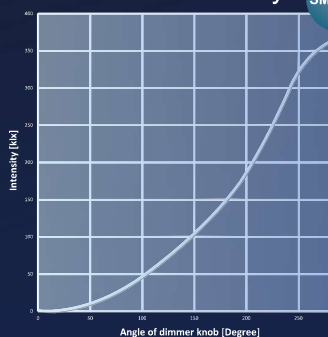


Spectrum of slit lamp



Inami's LED spectrum is specially designed to ensure the best setting for various kinds of slit lamp observation.

Variation of intensity



Unlike many other brands, the light intensity control of Inami's LED slit lamp is just as smooth as conventional halogen slit lamp. Even very low range can be freely controlled for retinal observation etc.

Specifications

5



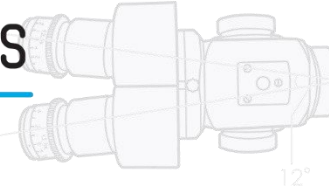
Lamp house of L-0189 Halogen type



6x 10x 16x 25x 40x

5 Steps

LED: L-0189-LED
Halogen: L-0189



Continuous light volume controller for fine adjustment



Colour selectable base top for your interior theme



Digital video camera beam splitter can be attached



Convergent optics for user's comfort



Half-moon type column for laser system attachment



Light booster for momentary extra-brightness (halogen type only)



Digital camera controllable base for easy photography (activating this function is optional)

	Standard / Option	L-0189-LED (LED) L-0189 (Halogen)
Microscope		
Type		Convergent Type Binocular Microscope
Magnification Changer		5 steps by drum rotation
Stereo angle		12°
Eyepiece	Standard	12.5x
	Option	—
Magnification Ratio (Field of View)		6x (38mm)
		10x (24mm)
		16x (15mm)
		25x (9mm)
		40x (6mm)
Pupillary Adjustment		53 - 83 mm
Focus Distance		106 mm
Diopter Adjustment		+ 8 to -8 diopters
Slit Illumination		
Slit Width		0 -10 mm
		—
Aperture Diameter		0.2, 1, 3, 4, 6, 10 mm
		—
Slit Length		0 -10 mm
		—
Slit Rotation		± 90°
Filters	Standard	Cobalt blue, Heat absorption, Red-free, 1/2 ND
	Option	UV, IR, 1/10 ND etc. (To be replaced with standard filters) Built-in binoculars yellow filter (YF-57)
Slit Inclination		5° 10° 15° 20°
Light Source		LED: (Orange) 14VDC 1A
		Halogen: Lamp bulb 12V/50W (L0160H1)
Max. intensity (Lux)		45,000Lux
Background Illumination		
Light Source		—
Base		
Vertical Movement		30 mm
Longitudinal Movement		79 mm
Lateral Movement		115 mm
Fine Base Movement		± 10 mm
Colour selectable base		Selectable
Chinrest		
Vertical Movement		75 mm
Fixation Target		LED: LED 3V 0.01A (Option) Halogen: Halogen 6.3V 0.14A (L0150V2)
Input Voltage		AC100, 120V, 220V, 240V 50/60Hz
Power Consumption		LED: 25VA Halogen: 65VA
Size & Weight (Without table top)		
Weight		18.5 Kgs
Dimension		LED: 550(W)x400(D)x660(H) mm
		Halogen: 550(W)x400(D)x690(H) mm